



***Stone Soup Leadership Institute's
BETA Program
BMC Durfee High School
2021-2022***



PowerDocks LLC

Autonomous Floating Microgrids

Powering BlueTech

www.power-docks.com

2020 - RI / MA

Global mooring market = \$1.037 Billion in 2015; Projected to reach **\$1.41 Billion by 2022**, 5.0% CAGR (Allied Market Research 2017)



Problem Challenge



Static Moorings / No Value Add
Relies on Fossil Fuel Based Power
\$\$\$ Cost Expense for Fossil Fuels
Noisy Fossil Fuel Power Generator
Environmental Contaminant Air, Water
No IoT Communication
Decreasing Fossil Fuel Demand
Negative Internal Rate of Return (IRR)

Solution Need > Opportunity



- ✓ **Active Based Moorings / Value Add**
- ✓ **Relies on Sustainable Solar Power**
- ✓ **Cost Savings / No Fossil Fuels**
- ✓ **Silent Sustainable Power Generator**
- ✓ **Non Pollutant**
- ✓ **Integrated IoT Communications**
- ✓ **Increasing Electric Use Demand**
- ✓ **IIR > 10%**

Global Floating Dock Market = \$350 Million; Growing to \$470 Million (2024) (Zion Market Research 2018)



Problem Challenge



Static Infrastructure / No Value Add
Undervalued Surface Area
High Cost Expense for Electric Demand
No Electric Vehicle Charging (EVC)
Declining Fossil Fuel Propulsion Services
Negative Internal Rate of Return (IRR)

Solution Need = Opportunity

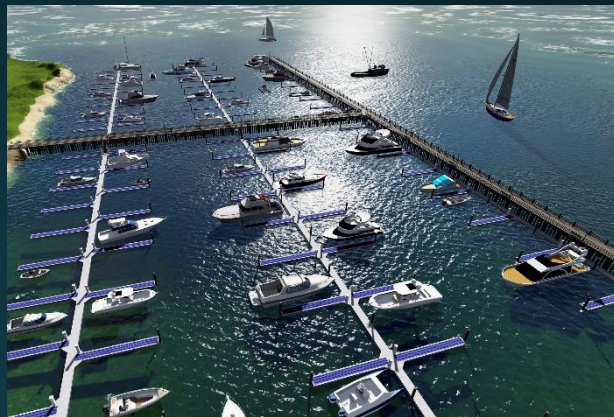


- ✓ **Active Infrastructure / Value Add**
- ✓ **PV Power Producing Surface Areas**
- ✓ **Low / No Cost for Electric Demand**
- ✓ **EVC Aiding Customer Retention**
- ✓ **Electric Increased Savings / Revenue**
- ✓ **IRR > 10%**

“Sustainable Powered **Aquatic Microgrids**” \$4B+ Market Opportunity (Ave. 40% GM)



Sustainable Power Moorings



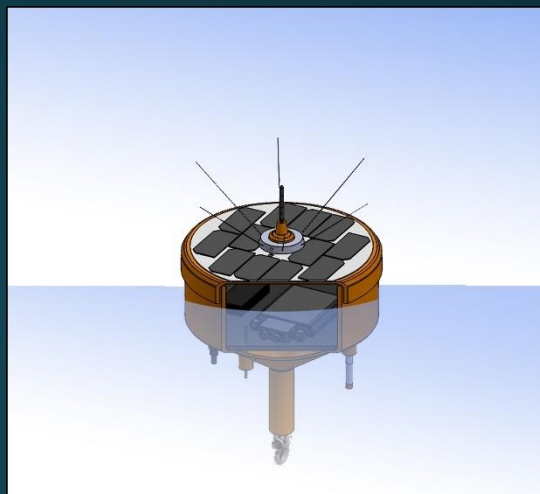
Sustainable Marinas



Defense / Autonomous Systems



Solar Microgrid Docks



Remote Water Health Monitoring / Aquaculture



Sustainable Floating Living / Hospitality⁵



2018 Industry Award Products = **Traction & Recognition**



- ✓ **Miami International Boat Show Innovation Award**
- ✓ **Electric & Hybrid Marine Product Innovation of the Year Award**
- ✓ **Over 60 World Renowned Marine Industry Judges**

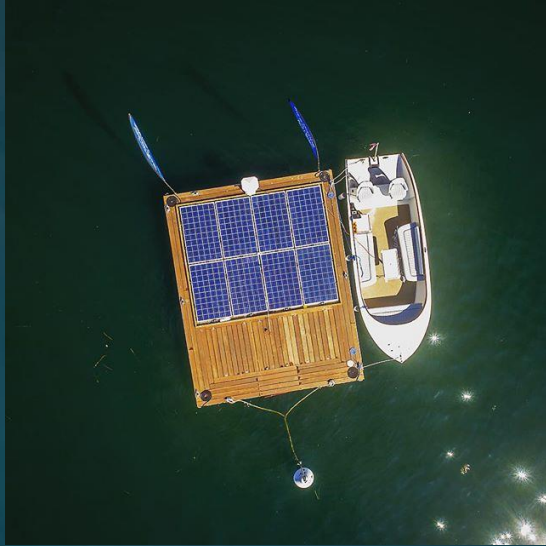
US Navy ANTX 17/18 @ NUWC = **Traction & Recognition**



Autonomous Robotic Devices Wireless Recharging
24/7 Air , Sea, Underwater (C3) Autonomous Remote Surveillance /
Intelligence Recognizance for Defense, Border Patrol, and Homeland Security

12 kWh Wireless Charging UAV-UUV / Sustainable Power Generation & Storage / 360
Video & Data Transmission Command Control Remote Monitoring / EV Propulsion

Growing Product Deployments

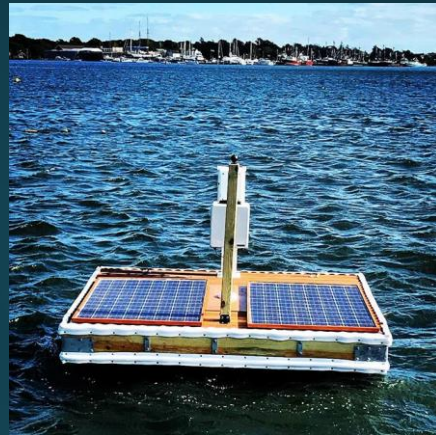


Newport Harbor, RI



**Barcelona, Spain
October 2018**

New Bedford, MA



Miami, Florida



NUWC. Newport RI





Company = “Experienced / Proven Team”

- **R.I. LLC - April 2016 / Chris Fagan & Anthony Baro/ Offices in RI, MA**
 - ✓ **Over 30 Years Combined Professional Experience** – Sustainable Design-Build, Renewable Energy Developments, Design/Engineering, Project/Program Management, Commercial, Industrial, Marine and Defense Markets
 - ✓ **Founder– E2SOL LLC / <http://www.e2sol.com> / 8 yrs. RE Developments**
 - ✓ **Founder– Fagan Design Studio / <http://cfd-studio.com> / 10 yrs. Arch. Design-Build**
- **6 Interns (RI / MA):** Business, Engineering (ME & Ocean), Architecture
- **Professional Advisors:** MARCUM LLP, KLR, APS Law, IEC Partners
- **Strategic Partners:** Bellingham Marine, Wibotics, BluCloud, dotOcean
- **5 Patents Pending + New IP in Pipeline : “Floating Power Microgrids”**
- **Capabilities:** Design, Engineering, Rapid Prototyping 3DP, Business Development, Project Management, Digital Graphics, Renewable Energy Developments, Architectural Design Build

Resources / Accomplishments



Strategic Partners



BluCloud

Recognitions



Seeking Strategic Partners

(Accelerate Commercialization)



- **Strategic Technology Partners:**
 - ❖ sensors
 - ❖ energy storage
 - ❖ IoT systems
 - ❖ power transfer systems
 - ❖ 3D cameras, AI
- **Marine R&D Teaming Opportunities**
- **Aquatic Health Management Remote Monitoring Opportunities**

Contact: Anthony Baro, Managing Partner /
abaro@power-docks.com / +1 (401)489-2273